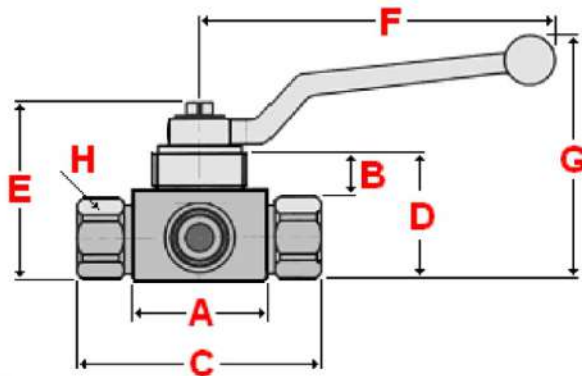




3-Way Directional Ball Valve

carbon steel ball valve for direction command and shut off of high pressure hydraulic lines



- **3-Way Ball Valve L-shape**
with threaded collar

- **3-Way Ball Valve T-shape**
with threaded collar

Directional Scheme:

L-shape



always connect
pressure line to 2

T-shape



T-shape



Function : 3-way ball valve for direction or shut off of hydraulic lines

Materials : carbon steel body, zinc plated; zamak handle, plated

Threads : Female BSP on ports 3 & 1; male BSP on port 2 (other threads on request)

Maximum operating temperature : + 98°C / + 208°F (other materials for higher temperatures as special features)

Minimum operating temperature : - 0°C / + 32°F (other materials for lower temperatures as special features)

Application : high pressure hydraulic lines, agricultural equipment, mining industry, paint industry

nominal size	working pressure		dimensions (mm)									
	inch	bar	PSI	R	A	B	C	D	E	F	G	H
1/4"	500	7 250	1/4"	40	8	72	35	47	110	64	22	
3/8"	500	7 250	3/8"	45	8	75	40	52	110	69	27	
1/2"	500	7 250	1/2"	50	10	85	45	56	110	76	30	
3/4"	250	3 600	3/4"	60	12	93	58	75	150	96	41	
1"	250	3 600	1"	65	12	114	65	86	150	104	46	
1/4"	500	7 250	1/4"	40	8	72	35	47	110	64	22	
3/8"	500	7 250	3/8"	45	8	75	40	52	110	69	27	
1/2"	500	7 250	1/2"	50	10	85	45	56	110	76	30	
3/4"	250	3 600	3/4"	60	12	93	58	75	150	96	41	
1"	250	3 600	1"	65	12	114	65	86	150	104	46	

also available:

3-Way Directional Ball Valve with NPT thread

(change to '1' the third digit of the type sequence; ex: 40.3L1C.08 and 40.3L1T.08)

Construction characteristics and dimensions may be changed at any time without prior notice.

The data contained herein is information purposes only and does not enlarge, amend or imply any warranty other than provided by the manufacturer with the product. Any use of the product not in conformance with the manufacturer's instructions may be dangerous.

Only items in this catalogue are carried in stock. Some items are subjected to minimum quantities or sold only in multiples of standard quantities. Please refer to the price list or contact our commercial department.