



**AWWA C515 Flanged Resilient OS&Y
Gate Valve (Z41X),
300PSI, UL/FM Approved**



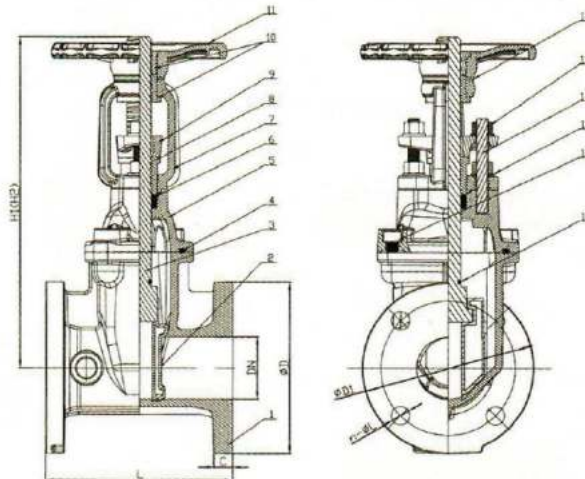
Z41X



- Connection Ends: Flange to ASME B16.1
- Working Pressure: 300PSI
200PSI and 250PSI available upon request
- Temperature Range: 0°C - 80°C
- Coating: Fusion Bonded Epoxy Coating in accordance with ANSI/AWWA C550



XZ41X



MATERIAL SPECIFICATION

Part No.	Part	Standard Specification	Options
1	Valve Body	ASTM A536,65-45-12	
2	Resilient Wedge Disc	ASTM A536,65-45-12+EPDM	
3	Stem	AISI 420	AISI 304, AISI 431, AISI 316, Al-bronze
4	Bonnet Gasket	EPDM	NBR
5	Bonnet	ASTM A536,65-45-12	
6	Washer	Brass Hpb59-1	
7	Yoke	ASTM A536,65-45-12	
8	Stem Bushing	Brass Hpb59-1	
9	Gland	ASTM A536,65-45-12	
10	Stem Nut	Brass Hpb59-1	Bronze ZQSn5-5-5
11	Handwheel	ASTM A536,65-45-12	Pressed Steel
12	Washer	Brass Hpb59-1	
13	Gland Nut	Carbon Steel Zinc Plated	AISI 304, AISI 316
14	Stud	Carbon Steel Zinc Plated	AISI 304, AISI 316
15	Flat Washer	Carbon Steel Zinc Plated	AISI 304, AISI 316
16	Nut	Carbon Steel Zinc Plated	AISI 304, AISI 316
17	O-Ring	EPDM	NBR

Note: For special material request other than standard specification, please indicate clearly on the inquiry or order list.

DN		Dimensions(mm)						
Inch	mm	L	H1(Close)	H2(Open)	D	D1	C	n-ΦL
2"	50	178	318	370	152	120.7	16	4-Φ19.1
2.5"	65	190	343	410	178	139.7	17.5	4-Φ19.1
3"	80	203	386	468	191	152.4	19.1	4-Φ19.1
4"	100	229	436	538	229	190.5	19.1	8-Φ19.1
5"	125	254	516	640	254	215.9	19.1	8-Φ22.2
6"	150	267	576	730	279	241.3	19.1	8-Φ22.2
8"	200	292	749	950	343	298.5	22.2	8-Φ22.2
10"	250	330	904	1158	406	362	23.8	12-Φ25.4
12"	300	356	1030	1335	483	431.8	25.4	12-Φ25.4