

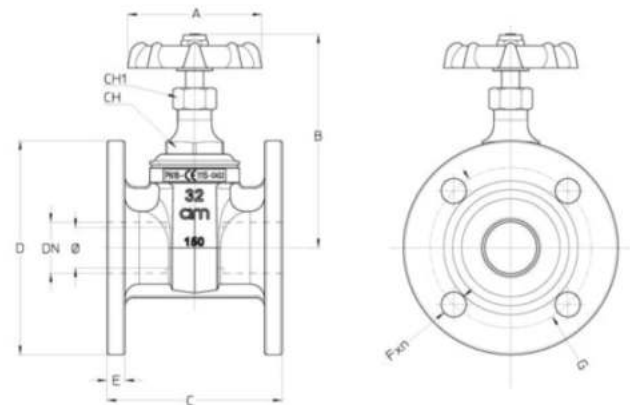


CIM 72F Gate Valve

Flanged Un-drilled Bronze Gate Valve

It can be used in a wide variety of sectors: heating, air conditioning, water, sanitary systems, pneumatic systems, oil pipelines, gasoline networks, saturated steam and generally with any non corrosive liquid.

It is made of a bronze alloy that complies with standard EN 1982-CC491K.
Nominal Pressure: PN16 (DN 15 + 100); PN10 (DN 125 and 150)
Operating temperature: -10 + 170°C (DN 15 + 100); -10 + 150°C (DN 125 and 150)



DN	1/2"	3/4"	1"	1"1/4	1"1/2	2"	2"1/4	2"1/2	3"	4"	5"	6"
Ø mm	15	20	25	32	40	50	60	70	80	100	125	150
Grms.	1195	1600	2155	3010	3150	4530	5895	7415	8650	13655	20660	26560
A	55	60	65	75	80	90	90	110	120	140	175	175
B	84	95	102	120	134	150	173	185	205	250	306	360
C	68	85	89	97,5	113	124	140	153,5	158	169,5	192	210
D	95	105	119	138,5	147	165	175	183,5	199	229	259	289
E	9	9	10	10	10,5	10,5	12	12	12	15	18	18
Fxn	14x4	14x4	14x4	18x4	18x4	18x4	18x4	18x4	18x8	18x8	18x8	22x8
G	65	75	85	100	110	125	135	145	160	180	210	240
CH	24	30	32	32	39	47	49	55	66	84	114	136
CH1	18	18	18	21	23	25	25	30	30	37	45	50