

**BACRUFLEX**Al servicio de la minería,
pesquería e industria

Catálogo de productos

**VÁLVULAS
COMPUERTAS
BRIDADAS****REX**[®]

Gate Forged Steel A105 Class 150

Body and Bonnet Forged Steel A105
Bolted Bonnet
Design, Manufacture,
Test in accordance with API 602
Rising Stem OS&Y
Norm to steel valves ANSI/ASME B16.34
Flange dimensions: ANSI/ASME B16.5 RF
Face to Face dimensions: ANSI/ASME B16.10
Hydrostatic Testing API 598
Diameters: 1/2 " to 2"

** Certification pending to norm API 602 from American
Petroleum Institute*

PRESSURE TEMPERATURE RATINGS

Temperature °F/°C	Pressure worked lbs/inch2 (PSI)
	Class 150
(-) 20 °F / (-) 29 °C to (+) 100 °F / (+) 38 °C	285
200 °F / 93 °C	260
300 °F / 149 °C	230
400 °F / 204 °C	200
500 °F / 260 °C	170
600 °F / 316 °C	140
650 °F / 343 °C	125
700 °F / 371 °C	110
750 °F / 399 °C	95
800 °F / 427 °C	80
850 °F / 454 °C	65
900 °F / 482 °C	50
950 °F / 510 °C	35
1000 °F / 538 °C	20



* Reference photo

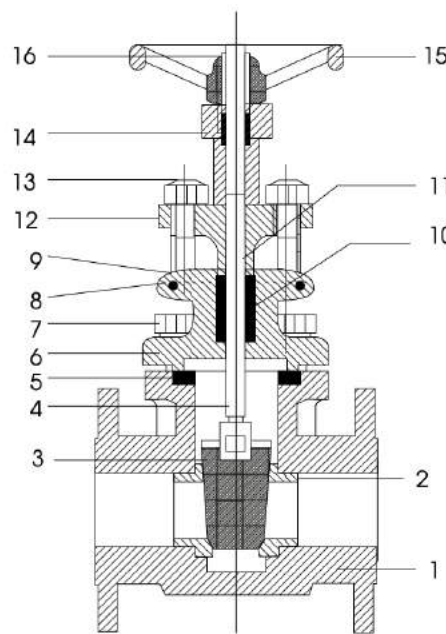
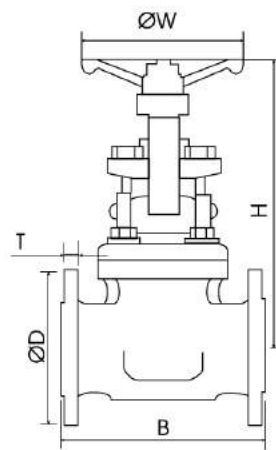


Gate Forged Steel A105 Class 150

MATERIALS

	PART NAME	MATERIAL
1	BODY	ASTM A105
2	SEAT RING	S.S. AISI 410
3	DISK	S.S. AISI 410
4	SPINDLE	S.S. AISI 410
5	GASKET	SPIRAL WOUND, S.S. FILLED WITH ASB.
6	BONNET	ASTM A105
7	BONNET BOLT	ASTM A193 Gr. B7
8	SCREW	CARBON STEEL
9	WASHER	CARBON STEEL
10	GLAND PACKING	GRAFOIL
11	GLAND	S.S. AISI 410
12	GLAND PLATE	CARBON STEEL FORGED
13	EYE BOLT / NUT	CARBON STEEL
14	YOKE NUT	NI- RESIST
15	HAND WHEEL	MALLEABLE IRON / CAST IRON
16	H. W. WASHER	CARBON STEEL
17	H. WHEEL NUT	CARBON STEEL

TEST API 598



DIMENSIONS (mm)

SIZE	B	D	T	W	H	WEIGHT (KG)
1/2"	108	89	11	85	169	2.6
3/4"	118	99	11	85	174	3.8
1"	127	108	11	90	194	5.1
1 1/4"	140	118	12.7	145	262	6.7
1 1/2"	165	127	14	145	267	10.4
2"	178	152	16	145	277	13.6