



BACRUFLEX

Al servicio de la minería,
pesquería e industria

Catálogo de productos

**VÁLVULAS
COMPUERTAS
BRIDADAS**

REX[®]

**Cast Steel A216 WCB
Class 600**

Body and Bonnet Cast Steel A216 WCB
Bolted Bonnet
Rising Stem OS&Y
Design, Manufacture, Test in accordance with
API 600
Norm Steel Valves: ANSI/ASME B16.34
Flange dimensions: ANSI/ASME B16.5 RF
Face to Face dimensions: ANSI/ASME B16.10
Hydrostatic Testing API 598
Diameters: 2" to 12"

** Certification pending to norm API 600 from American
Petroleum Institute*

PRESSURE TEMPERATURE RATINGS

Temperature °F/°C	Pressure worked lbs/inch ² (PSI)
	Class 600
(-) 20 °F / (-) 29 °C to (+) 100 °F / (+) 38 °C	1480
200 °F / 93 °C	1350
300 °F / 149 °C	1315
400 °F / 204 °C	1270
500 °F / 260 °C	1200
600 °F / 316 °C	1095
650 °F / 343 °C	1075
700 °F / 371 °C	1065
750 °F / 399 °C	1010
800 °F / 427 °C	825
850 °F / 454 °C	535
900 °F / 482 °C	345
950 °F / 510 °C	205
1000 °F / 538 °C	105



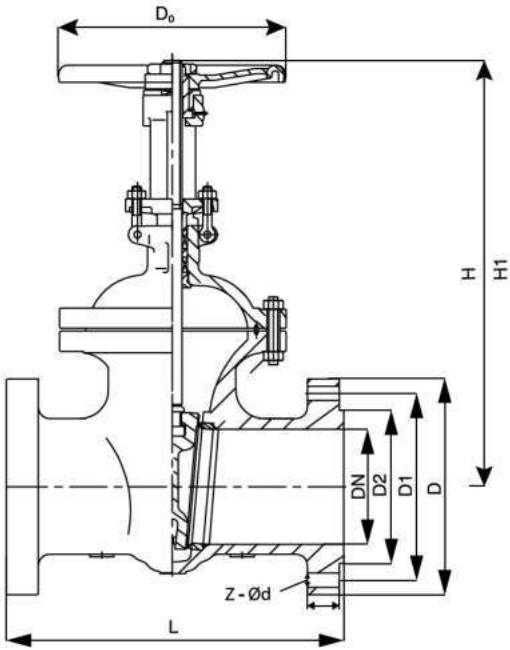
* Reference photo



**Cast Steel A216 WCB
Class 600**

MATERIALS

	PART NAME	MATERIAL
1	BODY, BONNET	ASTM A216 WCB
2	SEAT RING	ASTM A216 WCB + 13% Cr
3	WEDGE	ASTM A216 WCB + 13% Cr
4	STEM	SS 410
5	STUD	AST A193 B7
6	NUT	ASTM A194 2H
7	GASKET	13Cr /GRAPH.
8	PACKING	GRAPHITE
9	STEM NUT	ASTM A439 D-2 OR ASTM B62



TEST API 598

DIMENSIONS (mm)

SIZE	L	D	D ₁	D ₂	B	Z-Ød	D ₀	H	H ₁	WEIGHT (KG)
2"	292	165	127	92	26	8-19	250	408	469	43
2 1/2"	330	190	149	105	29	8-22	300	452	528	53
3"	356	210	168	127	32	8-22	300	504	592	76
4"	432	273	216	157	38	8-25	350	582	696	126
6"	559	356	292	216	48	12-29	450	765	929	266
8"	660	419	349	270	56	12-32	600	920	1134	488
10"	787	508	432	324	64	16-35	650	1050	1314	750
12"	838	559	489	381	67	20-35	700	1200	1512	936