

**BACRUFLEX**Al servicio de la minería,
pesquería e industria

Catálogo de productos

**VÁLVULAS
COMPUERTAS
BRIDADAS****REX**[®]**Gate Cast Steel A216 WCB
Class 300**

Body and Bonnet Cast Steel A216 WCB
 Bolted Bonnet
 Rising Stem OS&Y
 Design, Manufacture, Test in accordance with
 API 600
 Norm Steel Valves: ANSI/ASME B16.34
 Flange dimensions: ANSI/ASME B16.5 RF
 Face to Face dimensions: ANSI/ASME B16.10
 Hydrostatic Testing API 598
 Diameters: 2" to 24"

** Certification pending to norm API 600 from American
 Petroleum Institute*

PRESSURE TEMPERATURE RATINGS

Temperature °F/°C	Pressure worked lbs/inch ² (PSI)
	Class 300
(-) 20 °F / (-) 29 °C to (+) 100 °F / (+) 38 °C	740
200 °F / 93 °C	675
300 °F / 149 °C	655
400 °F / 204 °C	635
500 °F / 260 °C	600
600 °F / 316 °C	550
650 °F / 343 °C	535
700 °F / 371 °C	535
750 °F / 399 °C	505
800 °F / 427 °C	410
850 °F / 454 °C	270
900 °F / 482 °C	170
950 °F / 510 °C	105
1000 °F / 538 °C	50



* Reference photo

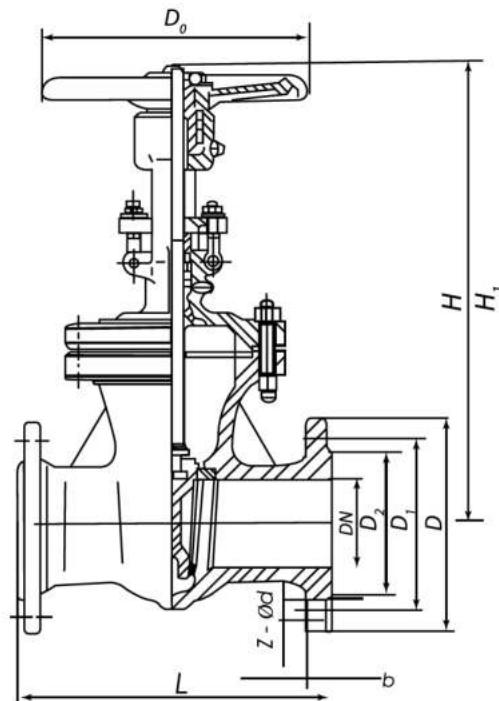


Gate Cast Steel A216 WCB Class 300

MATERIALS

	PART NAME	MATERIAL
1	SEAT RING	ASTM A216 WCB+13% Cr
2	WEDGE	ASTM A216 WCB + 13% Cr
3	STEM	SS 410
4	STUD	ASTM A193 B7
5	NUT	ASTM A194 2H
6	GASKET	13Cr /GRAPH.
7	PACKING	GRAPHITE
8	STEM NUT	ASTM A439 D-2 or ASTM B63

TEST API 598



DIMENSIONS (mm)

SIZE	L	D	D ₁	D ₂	B	Z-Ød	D ₀	H	D ₁	WEIGHT (KG)
2"	216	165	127	92	23	8-19	250	356	416	30
2 1/2"	241	190	149	105	26	8-22	250	395	472	33
3"	283	210	168.5	127	29	8-22	300	440	528	49
4"	305	254	200	157	32	8-22	350	500	614	73
6"	403	318	270	216	37	12-22	400	630	794	139
8"	419	381	330	270	42	12-25	500	850	1064	225
10"	457	445	387.5	324	48	16-29	600	1010	1264	343
12"	502	521	451	381	51	16-32	650	1160	1475	475
14"	762	584	514.5	413	54	20-32	650	1310	1662	693
16"	838	648	571.5	470	58	20-35	650	1545	1946	1079
18"	914	711	628.5	533	61	24-35	700	1623	2070	1232
20"	991	775	686	584	64	24-35	700	1770	2270	1525
24"	1143	914	813	692	70	24-41	800	2102	2710	2117